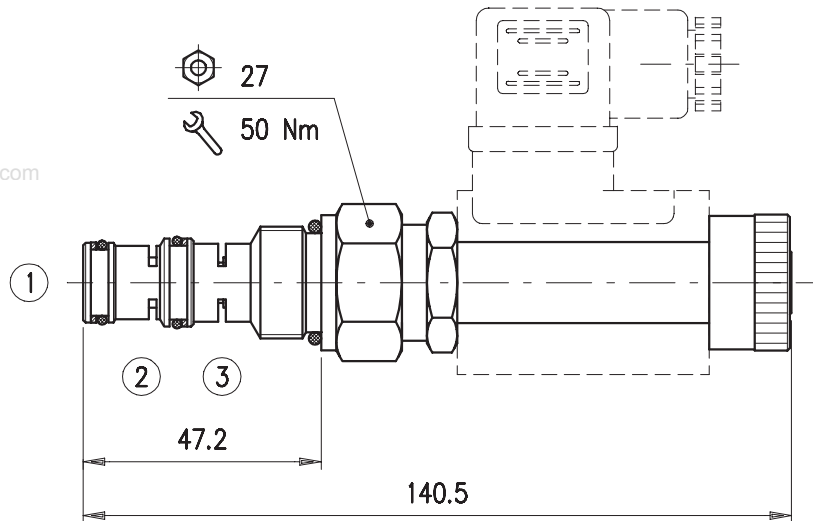
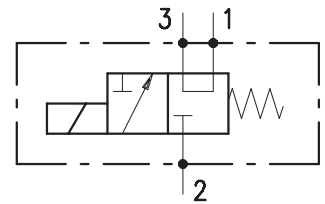


• DIMENSIONS (mm)

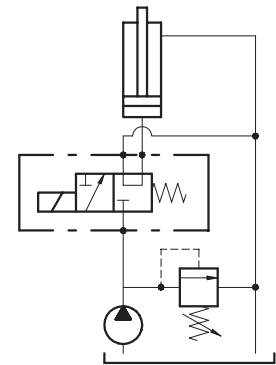


www.DataSheet4U.com

• HYDRAULIC DIAGRAM



• ASSEMBLY DIAGRAM



• DESCRIPTION

Electric valve 3-ways, 2-positions, spool type.

• OPERATION

When the solenoid is deenergized the valve allows free oil flow from 3 to 1 and vice versa, while the way in 2 is sealed.

When the solenoid is energized the valve allows free oil flow from 2 to 1 and vice versa, while the way in 3 is sealed. (in case of pressure in 1 greater than 100 bar ask our technical office for advise)
The way in 1 may not be used as discharge.

• PERFORMANCE

Maximum flow: 20 l/min.

Maximum working pressure: 210 bar

Solenoids: BC16 (see page Z.2001.300)

Oil leakage: 30 cc/min at 210 bar and oil viscosity of 46 cSt

Working temperature:

- Minimum -25°C max 90°C with standard BUNAN gaskets
- Minimum -20°C max 200°C with VITON gaskets on request

• RECOMMENDATIONS

Fluid: best use mineral oil with viscosity ranging between 10 and 200 cSt

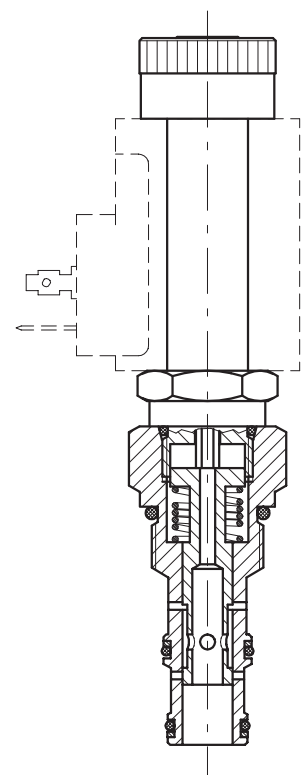
Filter: see page Z.9000.000

Installation: make sure to provide suitable gasket lubrication with clean oil before screwing the cartridge on the valve body. Also make sure to screw the cartridge manually in to reach against the gaskets in the valve body.

Cavities and tools: see page Z.1001.020

Weight: 0.285 kg

• CROSS SECTION



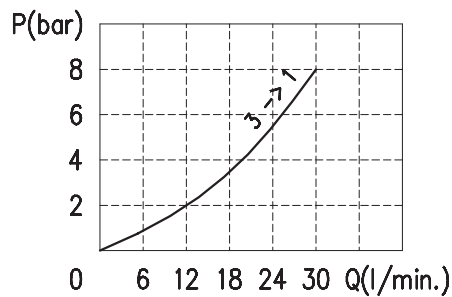
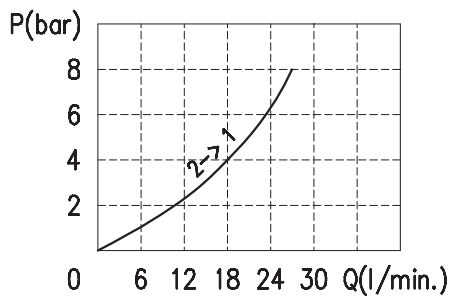
Material: high-grade steel duly treated and fabricated.

For more information please ask our technical office.

Variations and modifications of technical features and dimensions are reserved. **OLEOSTAR SPA** also reserves the right to stop production of each and any model listed in the catalogue with no notice.

Copyrights on the text contained herein belong to **OLEOSTAR SPA**. Partial and full reproductions or copies of this catalogue are forbidden.

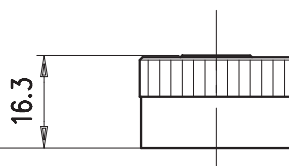
• RATING DIAGRAMS



Oil viscosity 46 cSt

• MANUAL OVERRIDE

N



• CODE NUMBER

EJ 10B / 20 N □

Seals

B) Buna
V) Viton